

# PM BAS2 C

## PRISM Tap Range Prism 2 Handle Basin Mixer (no waste) Chrome



### Features:

- Long life and easy to use 1/4 turn ceramic disc valves
- Metal fixing nut for added durability
- Easy to use lever handles
- Incorporates swivel spout
- Aerator flow straightener fitted for a softer non-splash flow

### Product Certifications:



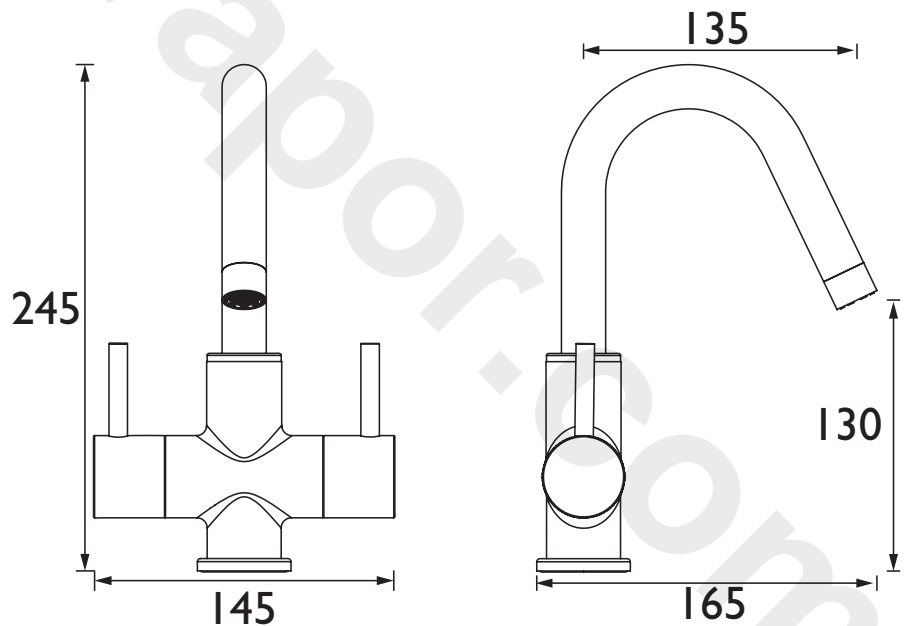
For more products, visit our website:  
<http://www.bristan.com>



### Specification

Product Type:	Taps
Main Construction Material:	Brass
Mount Type:	Deck
Handle Type:	Lever
Connection Inlet:	M12 x 15mm Screw-in Copper Tail Pipes
Connection Outlet:	Aerator Flow Straightener
Number of Tap Holes:	1
Valve/Cartridge Type:	1/2" Ceramic Disc Valve - 1/4 turn
Plumbing System Requirements:	Suitable for all plumbing systems
Minimum Dynamic Pressure (bar):	0.5 bar
Maximum Dynamic Pressure (bar):	5.0 bar
Maximum Hot Water Temperature °C:	65°C
Maximum Static Pressure (bar):	10 bar
Flow Type:	Single
Isolation Included:	No

### Dimensions (measurements in mm)



### Flow Rates (l/min)

System Pressure (bar)	0.5	1	2	3	5
PM BAS2 C (mixed)	6.2	8.7	12.3	15.1	19.5

## TECHNICAL DATA SHEET



# BRISTAN

D5